

Service connector

Item No.: 224-201



Service connector

Marking

RoHS ✓
Compliant

Business data

| | |
|----------------------|---------------|
| Supplier | WAGO |
| Item no. | 224-201 |
| GTIN / EAN | 4044918818407 |
| Content | 1 |
| Order amount | 50 |
| Customer item number | |

Notes

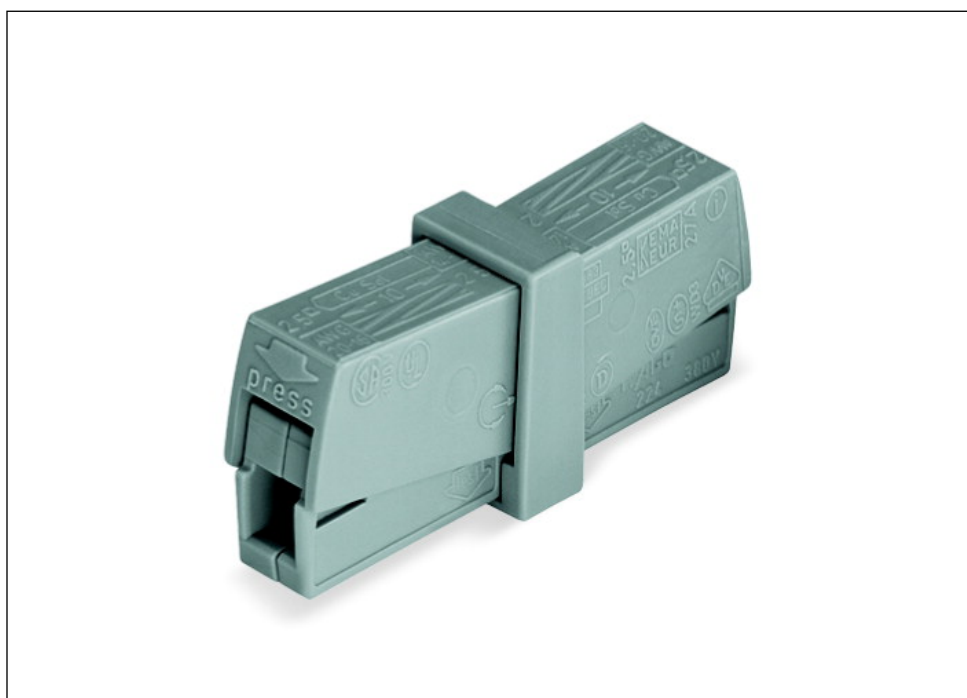
Technical data

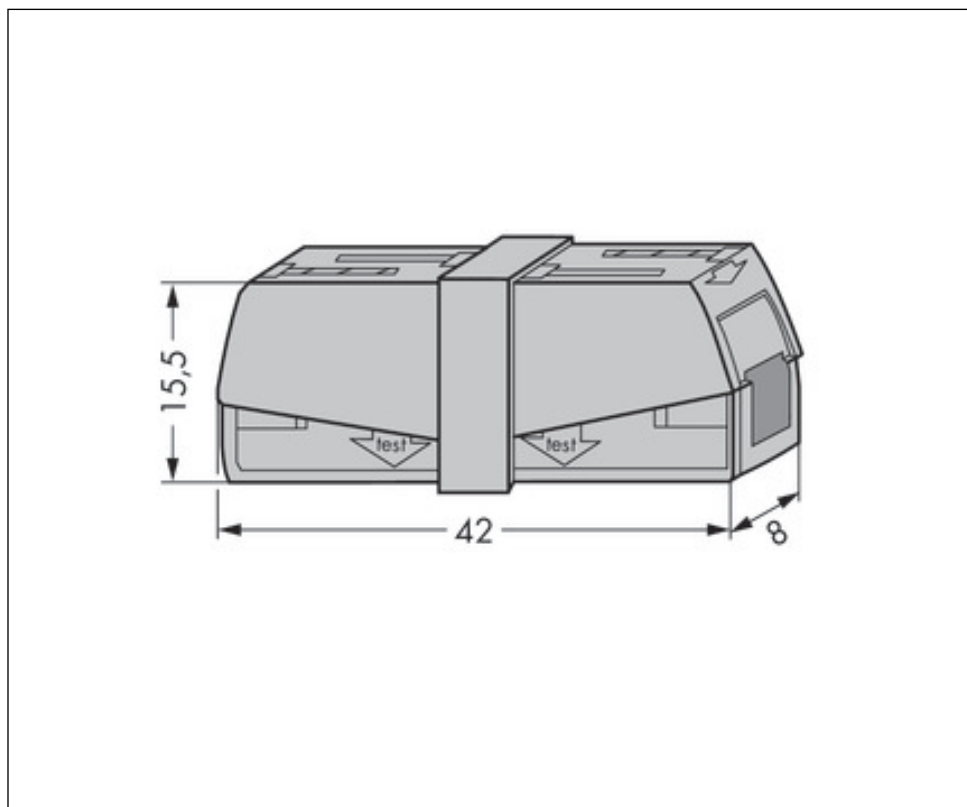
Miscellaneous

| | |
|-----------------------------------|-------------|
| Total number of connection points | 2 |
| Total number of potentials | 1 |
| Color | gray |
| Rated voltage (II / 2) [V] | 400 [V] |
| Rated surge voltage (II / 2) [kV] | 4 [kV] |
| Nominal current [A] | 24 [A] |
| Connection technology | CAGE CLAMP® |
| Number of connection points | 2 |
| Actuation type | Push-in |
| Connectable conductor materials | Kupfer |

| Technical data | |
|-----------------------------|---|
| <i>Solid sizes</i> | <i>0.5 ... 2.5 mm² / 20 ... 16 AWG</i> |
| <i>Fine-stranded wires</i> | <i>0.5 ... 2.5 mm² / 20 ... 16 AWG</i> |
| <i>Strip length</i> | <i>9 ... 11 mm / 0.35 ... 0.43 in</i> |
| <i>Type of wiring</i> | <i>Side-entry wiring</i> |
| <i>Fire load [MJ]</i> | <i>0.099 [MJ]</i> |
| <i>Weight [g]</i> | <i>5 [g]</i> |
| <i>Width</i> | <i>8 mm / 0.315 in</i> |
| <i>Height</i> | <i>15.5 mm / 0.61 in</i> |
| <i>Length</i> | <i>42 mm / 1.654 in</i> |
| <i>Safety information 1</i> | <i>In grounded power lines</i> |

Images & drawings





Address

WAGO Kontakttechnik GmbH & Co. KG

Hansastr. 27

32423 Minden

Telefon: 0571/887-0

Fax: 0571/887-169

<http://www.wago.com>

© WAGO Kontakttechnik GmbH & Co. KG

Technische Änderungen und Irrtümer vorbehalten.